



HYDRAULIC HAMMERS			PULVERIZERS
SHEET PILERS			CRUNCHERS
STEEL SHEARS			CRUSHERS
X-Y-Z CONCEPT			DEMOLITION GRABS
COMPACTORS			MULTI-PROCESSORS

DEMOLITION GRAB



- DG-1
- DG-4
- DG-6
- DG-9
- DG-14
- DG-16
- DG-20A
- DG-22
- DG-25
- DG-30A
- DG-40A
- DG-50

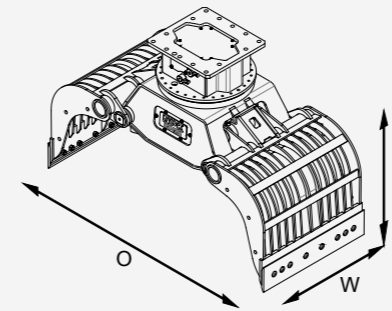
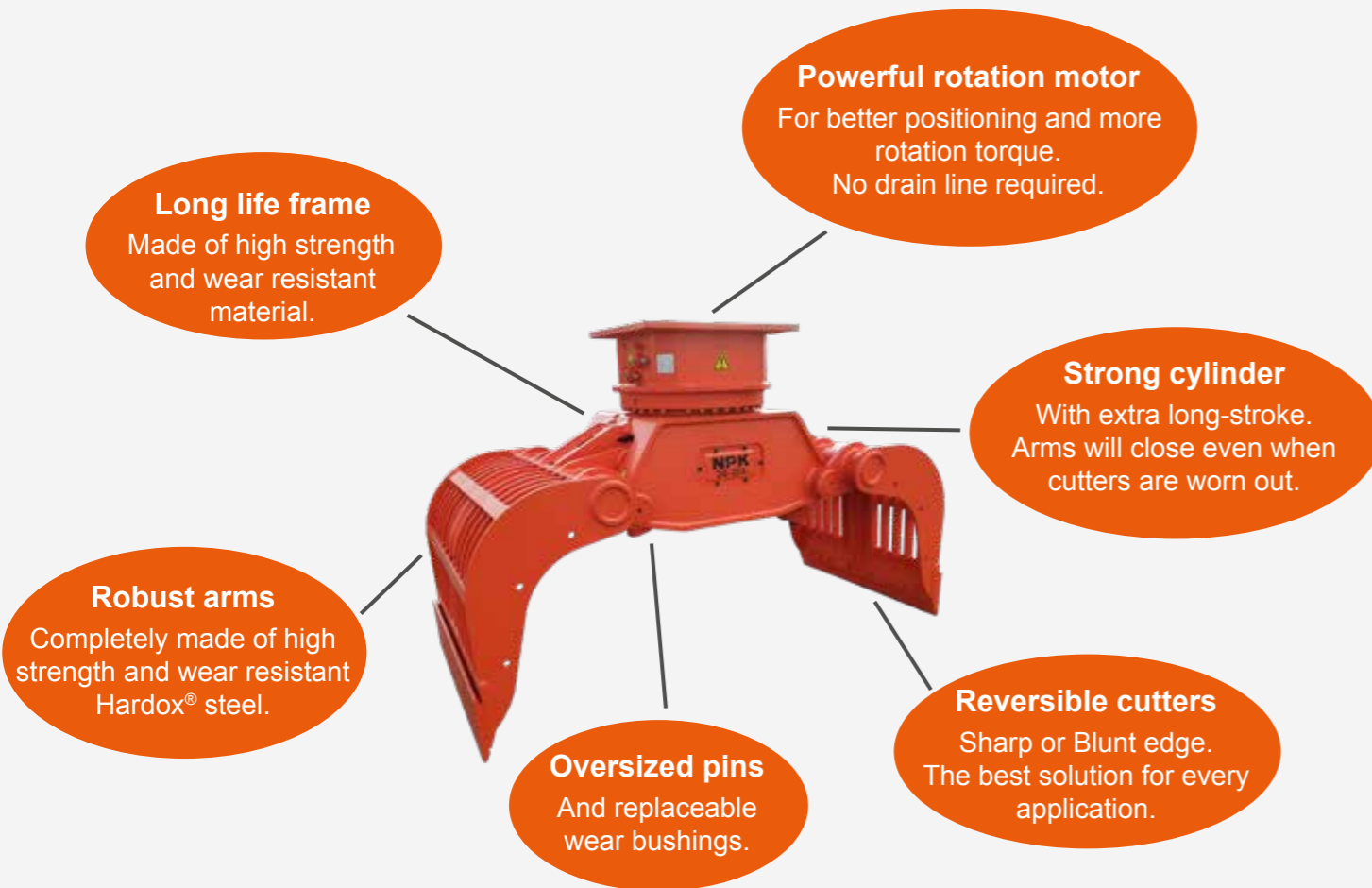
NPK Europe (Holland) BV
P. O. Box 30157
3001 DD Rotterdam
The Netherlands
Tel: +31 10 205 1710
E-mail: info@npke.nl

Dealer:

NPK®
www.npke.eu

Demolition, Sorting, Loading, Handling.

The NPK DG-series is the best and most reliable solution for demolition, dismantling, loading, sorting and recycling applications. The arms are completely made of wear resistant Hardox® steel. The stiff construction of the frame guarantees the best quality and a long life. With many available options, the grabs can be perfectly tuned according to jobsite conditions. Ribs or perforated plate for demolition or sorting; double motor for more rotation torque; sharp or blunt edge cutters for demolition or sorting application.



Model	DG-1	DG-4	DG-6	DG-9	DG-14	DG-16
Excavator weight (t)	0,7 - 1,5	2,5 - 4	4 - 6	5 - 9	7 - 14	10 - 16
Weight (kg)	75	172	290	450	642	875
Capacity (l)	25	90	150	180	300	425
Working pressure (MPa)	18 - 26	18 - 26	20 - 28	22 - 32	25 - 35	25 - 35
Oil flow (l/min)	10 - 20	15 - 35	20 - 40	30 - 50	30 - 60	60 - 100
Closing force (kN)	6	15	21	32	38	48
Rotation pressure (MPa)	16 - 26	18 - 26	10 - 13	10 - 13	10 - 14	10 - 14
Rotation oil flow (l/min)	5 - 18	12 - 22	10 - 15	12 - 15	20 - 30	20 - 30
Opening width (mm)	670	1145	1355	1632	1800	1850
Height (mm)	610	800	1045	1080	1175	1235
Width (mm)	300	450	500	580	700	860

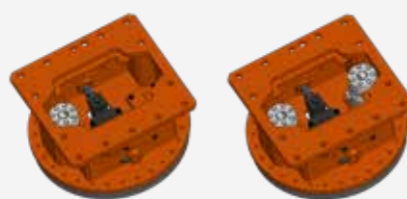
Options



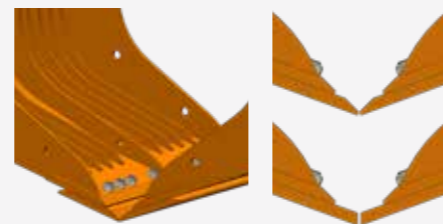
Ribs or Perforated
DG-9 ~ DG-50



Single or Double Motor
DG-20A ~ DG-50



Sharp or Blunt Edge Cutters
DG-14 ~ DG-50



Model	DG-20A	DG-22	DG-25	DG-30A	DG-40A	DG-50
Excavator weight (t)	14 - 20	14 - 20	16 - 26	18 - 30	25 - 40	35 - 50
Weight (kg)	1250	1255	1450	1850	2050	2500
Capacity (l)	500	500	600	800	900	1100
Working pressure (MPa)	25 - 35	25 - 35	25 - 35	25 - 35	25 - 35	25 - 35
Oil flow (l/min)	60 - 100	60 - 100	60 - 100	80 - 120	80 - 120	100 - 140
Closing force (kN)	52	62	60	72	72	90
Rotation pressure (MPa)	10 - 14	10 - 14	10 - 14	10 - 14	10 - 14	10 - 16
Rotation oil flow (l/min)	20 - 30	20 - 30	20 - 30	20 - 30	20 - 30	30 - 50
Opening width (mm)	2050	2050	2160	2410	2410	2450
Height (mm)	1300	1300	1330	1485	1485	1560
Width (mm)	950	950	1115	1115	1360	1450